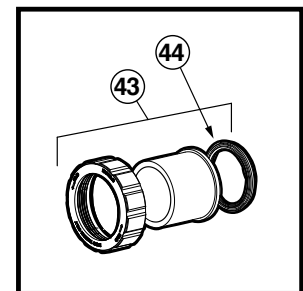
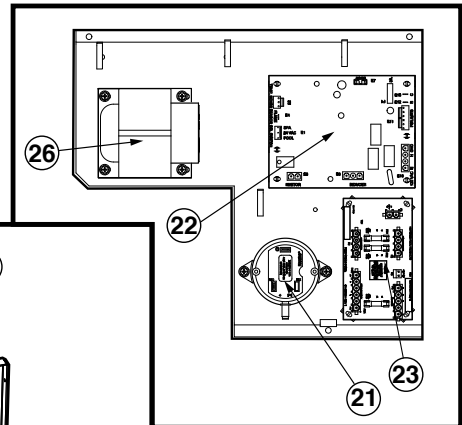
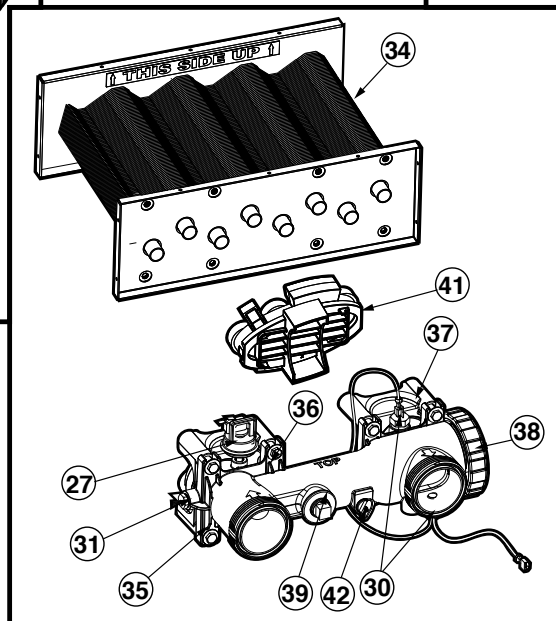
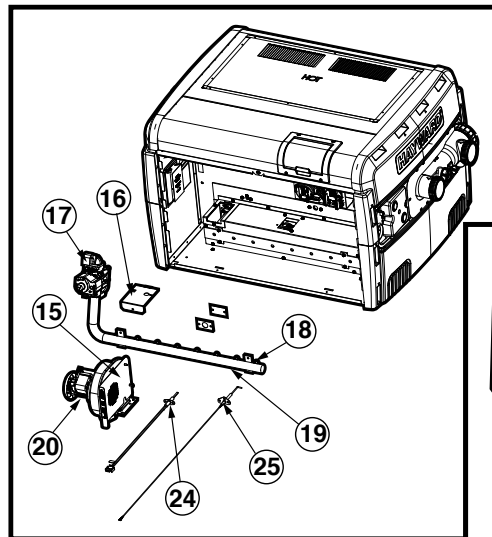
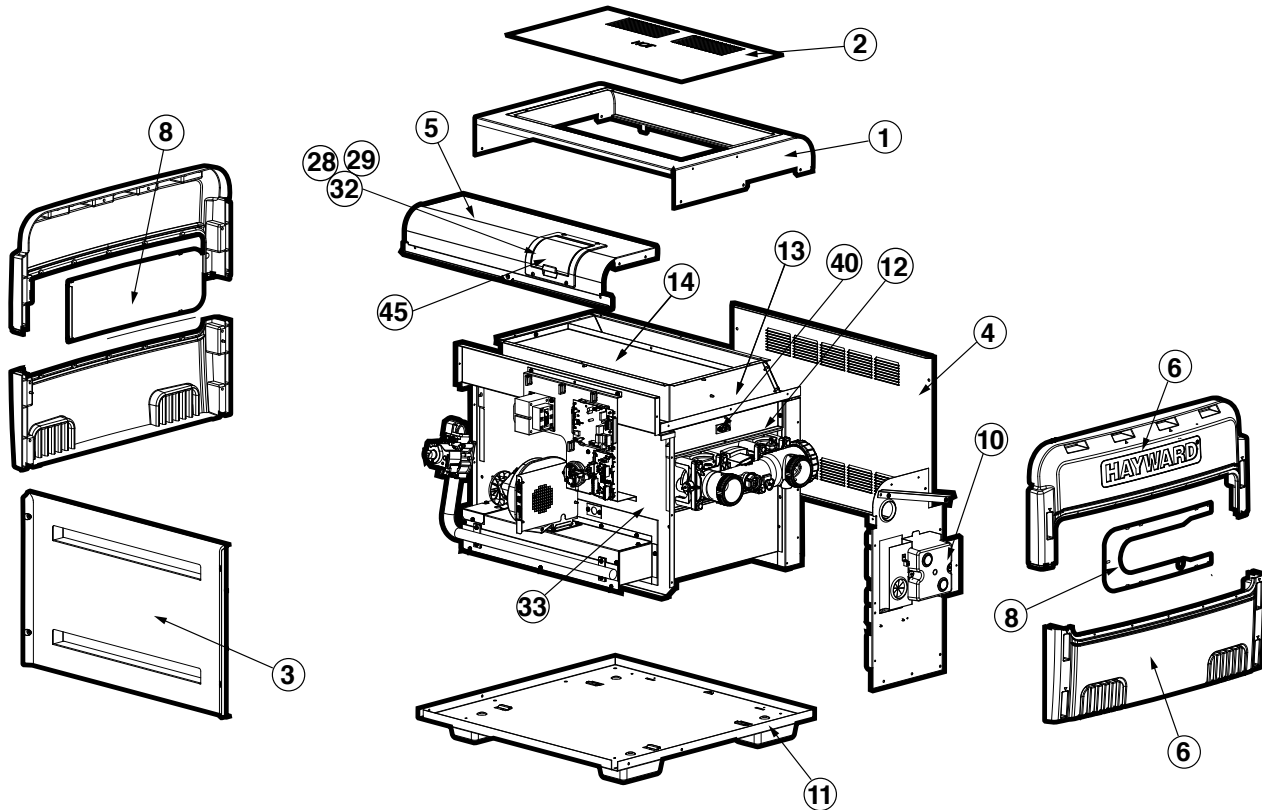


Universal H-Series Low NOx

REPLACEMENT PARTS

Parts Diagram: H150FD, H200FD, H250FD, H300FD, H350FD, H400FD, H500FD



Universal H-Series Low NOx

REPLACEMENT PARTS

Parts Listing: H150FD, H200FD, H250FD, H300FD, H350FD, H400FD, H500FD

Ref. No.	Part No.	Description	Ref. No.	Part No.	Description	Ref. No.	Part No.	Description
1	FDXLJKT1150	Jacket Top and Flue Cover – H150FD	14	FDXLHBP1350	Heat Barrier Panel – H350FD	—	FDXLBPC1400	Kit-Bezel Control Panel 400 (old to new)
1	FDXLJKT1200	Jacket Top and Flue Cover – H200FD	14	FDXLHBP1400	Heat Barrier Panel – H400FD	—	FDXLBPC1500	Kit-Bezel Control Panel 500 (old to new)
1	FDXLJKT1250	Jacket Top and Flue Cover – H250FD	14	FDXLHBP1500	Heat Barrier Panel – H500FD	—	FDXLBRN1931	NOT SHOWN: Burner (Qty. 1)
1	FDXLJKT1250A	Jacket Top, Gray, ASME – H250FD	15	FDXLBNN1150	Blower Inlet Baffle – H150FD	—	FDXLBRN1930	Burner (Qty. 8)
1	FDXLJKT1300	Jacket Top and Flue Cover – H300FD	15	FDXLBNN1200	Blower Inlet Baffle – H200FD	—	FDXLDVR1930A	Drain Valve, ASME
1	FDXLJKT1350	Jacket Top and Flue Cover – H350FD	15	FDXLBNN1250	Blower Inlet Baffle – H250FD	—	FDXLFSK1930	Fuse Service Kit – FD
1	FDXLJKT1400	Jacket Top and Flue Cover – H400FD	15	FDXLBNN1300	Blower Inlet Baffle – H300FD	—	FDXLFSK30	Fuse Kit, 3.0A, for Integrated Control Board (Qty. 10)
1	FDXLJKT1400A	Jacket Top, Gray, ASME – H400FD	15	FDXLBNN1350	Blower Inlet Baffle – H350FD	—	FDXLFSK30	Fuse Kit, 3.0A, for Field Wiring Panel (Qty. 10)
1	FDXLJKT1500	Jacket Top and Flue Cover – H500FD	15	FDXLBNN1400	Blower Inlet Baffle – H400FD	—	FDXLFSK1930	Fuse Kit, 3.0A, for Field Wiring Panel (Qty. 10)
1	FDXLJKT1500A	Jacket Top, Gray, ASME – H500FD	15	FDXLBNN1500	Blower Inlet Baffle – H500FD	—	FDXLGSK1930	Gasket Kit – Air Side (all models)
2	FDXLTF1150	Top/Flue Cover – H150FD	16	FDXLIAC1930	Ignitor Access Cover	—	FDXLGSK1930	includes: Gasket, Blower Mounting
2	FDXLTF1200	Top/Flue Cover – H200FD	17	FDXLGSV0001	Gas Valve Natural Gas – FD	—	FDXLGSK1930	Gasket, Ignitor Cover
2	FDXLTF1250	Top/Flue Cover – H250FD	17	FDXLGSV0002	Gas Valve Propane Gas – FD	—	FDXLGSK1930	Gasket, Cover/Air Box Front
2	FDXLTF1250A	Top/Flue Cover, Gray, ASME – H250FD	17	FDXLGSV1500N	Gas Valve Natural Gas – H500FD Only	—	FDXLGSK1930	Gasket, Manifold/Air Box
2	FDXLTF1300	Top/Flue Cover – H300FD	17	FDXLGSV1500P	Gas Valve Propane Only – H500FD Only	—	FDXLGSK1931	Gasket Kit – Exhaust Side (all models)
2	FDXLTF1350	Top/Flue Cover – H350FD	18	FDXLBON1930	Burner Orifice Kit Natural Gas – FD	—	FDXLGSK1931	includes: Gasket, Flue Collector Side
2	FDXLTF1400	Top/Flue Cover – H400FD	18	FDXLBOP1930	Burner Orifice Kit Propane Gas – FD	—	FDXLGSK1931	Gasket, Rain Guard Side
2	FDXLTF1400A	Top Flue Cover, Gray, ASME – H400FD	18	FDXLBOP1500	Burner Orifice Kit Natural Gas – H500FD Only	—	FDXLGSK1931	Gasket, Rain Guard Bottom Side
2	FDXLTF1500	Top/Flue Cover – H500FD	18	FDXLBOP1500	Burner Orifice Kit Propane Gas – H500FD Only	—	FDXLGSK1931	Gasket, Flue Collector Top
2	FDXLTF1500A	Top Flue Cover, Gray, ASME – H500FD	19	FDXLGCK1150NP	Conversion Kit, NA to LP, H150FD	—	FDXLGSK1931	Gasket, Rain Guard Front and Rear
3	FDXLFAD1150†	Front Access Door Assembly – H150FD	19	FDXLGCK1150NP	Conversion Kit, LP to NA, H150FD	—	FDXLGSK1931	Gasket, Rain Guard Bottom Front and Rear
3	FDXLFAD1200‡	Front Access Door Assembly – H200FD	19	FDXLGCK1200NP	Conversion Kit, NA to LP, H200FD	—	FDXLGSK1931	Insulation, Return Side Tube Sheet – FD
3	FDXLFAD1250‡	Front Access Door Assembly – H250FD	19	FDXLGCK1200NP	Conversion Kit, LP to NA, H200FD	—	FDXLGSK1931	Conversion Kit, H150FD-H400FD High-Altitude, 2,000-10,100 ft
3	FDXLFAD1250A‡	Front Door Assembly, Gray, ASME – H250FD	19	FDXLGCK1250NP	Conversion Kit, NA to LP, H250FD	—	FDXLGSK1931	Tie-Down Kit – FD
3	FDXLFAD1300‡	Front Access Door Assembly – H300FD	19	FDXLGCK1250NP	Conversion Kit, LP to NA, H250FD	—	FDXLGSK1931	ASME Union Flange Kit (includes Flange Fittings, Bolts, Gaskets)
3	FDXLFAD1350‡	Front Access Door Assembly – H350FD	19	FDXLGCK1300NP	Conversion Kit, NA to LP, H300FD	—	FDXLGSK1931	Vent Pressure Switch, Indoor, 0-2,000 ft
3	FDXLFAD1400‡	Front Access Door Assembly – H400FD	19	FDXLGCK1300NP	Conversion Kit, LP to NA, H300FD	—	FDXLGSK1931	Vent Pressure Switch, Indoor, 2,000-10,100 ft
3	FDXLFAD1400A‡	Front Door Assembly, Gray, ASME – H400FD	19	FDXLGCK1350NP	Conversion Kit, NA to LP, H350FD	—	FDXLGSK1931	Voltage Selector Jumpers
3	FDXLFAD1151††	Front Access Door Assembly – H150FD	19	FDXLGCK1350NP	Conversion Kit, LP to NA, H350FD	—	FDXLGSK1931	Wiring Harness Kit Complete – FD
3	FDXLFAD1201††	Front Access Door Assembly – H200FD	19	FDXLGCK1400NP	Conversion Kit, NA to LP, H400FD	—	FDXLGSK1931	Wiring Harness Kit Complete – FD
3	FDXLFAD1251††	Front Access Door Assembly – H250FD	19	FDXLGCK1400NP	Conversion Kit, LP to NA, H400FD	—	FDXLGSK1931	Terminal Block – Remote Connection
3	FDXLFAD1251A††	Front, Door Assembly, Gray, ASME – H250FD	19	FDXLGCK1500NP	Gas Conversion Kit, NA to LP, H500FD	—	FDXLGSK1931	Water Flow Switch and Temp/Press Gauge Kit
3	FDXLFAD1301††	Front Access Door Assembly – H300FD	19	FDXLGCK1500NP	Gas Conversion Kit, LP to NA, H500FD	—	FDXLGSK1931	Water Flow Switch Kit
3	FDXLFAD1351††	Front Access Door Assembly – H350FD	20	FDXLBWR1930	Combustion Blower – FD	—	FDXLGSK1931	Pressure Relief Valve
3	FDXLFAD1401††	Front Access Door Assembly – H400FD	20	FDXLBWR1500	Combustion Blower – H500FD Only	—	FDXLGSK1931	Control Bezel Lock-Out Kit (old)
3	FDXLFAD1401A††	Front Door Assembly, Gray, ASME – H400FD	21	FDXLBVS1930	Blower Vacuum Switch	—	FDXLGSK1931	Control Bezel Lock-Out Kit (New)
3	FDXLFAD1500	Front Access Door Assembly – H500FD	22	FDXLBWR1930	Integrated Control Board – FD	—	FDXLGSK1931	Indoor Vent Adapter Kit, H150FD, Negative-Pressure (Vertical)
3	FDXLFAD1500A	Front Door Assembly, Gray, ASME – H500FD	23	FDXLFWP1930	Field Wiring Panel – FD	—	FDXLGSK1931	Indoor Vent Adapter Kit, H200FD, Negative-Pressure (Vertical)
4	FDXLRAD1150	Rear Access Door Assembly – H150FD	24	FDXLDGN1930	Ignitor – FD	—	FDXLGSK1931	Indoor Vent Adapter Kit, H300FD, Negative-Pressure (Vertical)
4	FDXLRAD1200	Rear Access Door Assembly – H200FD	25	IDXLF1930	Flame Sensor	—	FDXLGSK1931	Indoor Vent Adapter Kit, H350FD, Negative-Pressure (Vertical)
4	FDXLRAD1250	Rear Access Door Assembly – H250FD	26	IDXLT2RF1930	Transformer	—	FDXLGSK1931	Indoor Vent Adapter Kit, H400FD, Negative-Pressure (Vertical)
4	FDXLRAD1300	Rear Access Door Assembly – H300FD	27	FDXLWPS1930	Water Pressure Switch	—	FDXLGSK1931	Indoor Vent Adapter Kit, H500FD, Negative-Pressure (Vertical)
4	FDXLRAD1350	Rear Access Door Assembly – H350FD	28	IDXLT2DB1930	Display Board Only	—	FDXLGSK1931	Indoor Vent Adapter Kit, H150FD, Positive-Pressure (Horizontal)
4	FDXLRAD1400	Rear Access Door Assembly – H400FD	29	FDXLBKP1930	Bezel and Keypad Assembly, Taupe	—	FDXLGSK1931	Indoor Vent Adapter Kit, H150FD, Positive-Pressure (Horizontal)
4	FDXLRAD1500	Rear Access Door Assembly – H500FD	29	FDXLBKP1932	Bezel and Keypad Assembly, Blue (with Door)	—	FDXLGSK1931	Indoor Vent Adapter Kit, H200FD, Positive-Pressure (Horizontal)
5	FDXLTFF1151†††	Top and Front Panel – H150FD	30	FDXHLHL1930	High Limit Kit	—	FDXLGSK1931	Indoor Vent Adapter Kit, H200FD, Positive-Pressure (Horizontal)
5	FDXLTFF1201†††	Top and Front Panel – H200FD	31	FDXLTER1930	Thermistor	—	FDXLGSK1931	Indoor Vent Adapter Kit, H300FD, Positive-Pressure (Horizontal)
5	FDXLTFF1251†††	Top and Front Panel – H250FD	32	FDXLGSK1932	Gasket, Bezel/Top – FD	—	FDXLGSK1931	Indoor Vent Adapter Kit, H400FD, Positive-Pressure (Horizontal)
5	FDXLTFF1301†††	Top and Front Panel – H300FD	33	FDXLGSK1934	Gasket, CC Front/Air Box – FD All Models	—	FDXLGSK1931	Indoor Vent Adapter Kit, H500FD, Positive-Pressure (Horizontal)
5	FDXLTFF1351†††	Top and Front Panel – H350FD	34	FDXLHXA1150	Heat Exchanger Assembly – H150FD	—	FDXLGSK1931	Indoor Vent Adapter Kit, H150FD, Positive-Pressure (Horizontal)
5	FDXLTFF1500	Top and Front Panel – H500FD	34	FDXLHXA1200	Heat Exchanger Assembly – H200FD	—	FDXLGSK1931	Indoor Vent Adapter Kit, H200FD, Positive-Pressure (Horizontal)
5	FDXLTFF1500A	Top Front Panel, Gray, ASME – H500FD	34	FDXLHXA1250	Heat Exchanger Assembly – H250FD	—	FDXLGSK1931	Indoor Vent Adapter Kit, H250FD, Positive-Pressure (Horizontal)
6	FDXLBEC1930	End Cap Kit	34	FDXLHXA1250A	Heat Exchanger Assembly, ASME – H250FD	—	FDXLGSK1931	Indoor Vent Adapter Kit, H300FD, Positive-Pressure (Horizontal)
6	FDXLUUC1930	Upper End Cap – FD	34	FDXLHXA1300	Heat Exchanger Assembly – H300FD	—	FDXLGSK1931	Indoor Vent Adapter Kit, H400FD, Positive-Pressure (Horizontal)
8	FDXLBTP1930	Trim Panel Kit	34	FDXLHXA1350	Heat Exchanger Assembly – H350FD	—	FDXLGSK1931	Indoor Vent Adapter Kit, H500FD, Positive-Pressure (Horizontal)
8	FDXLLTP1930	Left Trim Panel Kit	34	FDXLHXA1400	Heat Exchanger Assembly – H400FD	—	FDXLGSK1931	Indoor Vent Adapter Kit, H150FD, Positive-Pressure (Horizontal)
10	FDXLRBC1930*	Right Connection Box – FD	34	FDXLHXA1400A	Heat Exchanger Assembly, ASME – H400FD	—	FDXLGSK1931	Indoor Vent Adapter Kit, H150FD, Positive-Pressure (Horizontal)
10	FDXLLJC1930†††	Junction Box Cover, Left	34	FDXLHXA1500	Heat Exchanger Assembly – H500FD	—	FDXLGSK1931	Indoor Vent Adapter Kit, H200FD, Positive-Pressure (Horizontal)
10	FDXLLRC1930†††	Junction Box Cover, Right	34	FDXLHXA1500A	Heat Exchanger Assembly, ASME – H500FD	—	FDXLGSK1931	Indoor Vent Adapter Kit, H300FD, Positive-Pressure (Horizontal)
10	FDXLLPLC1930***	Polymer Junction Box Cover, Left and Right	35	FDXLFHA1930	Header Assembly	—	FDXLGSK1931	Indoor Vent Adapter Kit, H400FD, Positive-Pressure (Horizontal)
11	FDXLPBL1930	Base Leg – FD (4)	36	FDXLDHW1930	Header Hardware Kit	—	FDXLGSK1931	Indoor Vent Adapter Kit, H500FD, Positive-Pressure (Horizontal)
12	FDXLFCS1931	Flue Collector Side Panel with High Limit	37	FDXLDHM1930	Header Mounting Base Kit	—	FDXLGSK1931	Indoor Vent Adapter Kit, H150FD, Positive-Pressure (Horizontal)
13	FDXLRGK1151	Rain Guard Assembly – H150FD	38	FDXLBPK1930	Bypass Cartridge Kit	—	FDXLGSK1931	Indoor Vent Adapter Kit, H150FD, Positive-Pressure (Horizontal)
13	FDXLRGK1201	Rain Guard Assembly – H200FD	39	CHXPLG1930	3/4" NPT Brass Plug and Plastic Plug	—	FDXLGSK1931	Indoor Vent Adapter Kit, H200FD, Positive-Pressure (Horizontal)
13	FDXLRGK1251	Rain Guard Assembly – H250FD	40	FDXLEGL1930	Exhaust Gas Temp Limit	—	FDXLGSK1931	Indoor Vent Adapter Kit, H300FD, Positive-Pressure (Horizontal)
13	FDXLRGK1301	Rain Guard Assembly – H300FD	41	FDXLLPM1930	Return Manifold Replacement Kit	—	FDXLGSK1931	Indoor Vent Adapter Kit, H400FD, Positive-Pressure (Horizontal)
13	FDXLRGK1351	Rain Guard Assembly – H350FD	42	SPX4000FG	Drain Plug with Gasket	—	FDXLGSK1931	Indoor Vent Adapter Kit, H500FD, Positive-Pressure (Horizontal)
13	FDXLRGK1401	Rain Guard Assembly – H400FD	43	SPX3200UNKIT	Union Kit	—	FDXLGSK1931	Indoor Vent Adapter Kit, H150FD, Positive-Pressure (Horizontal)
13	FDXLRGK1500	Rain Guard Assembly – H500FD	44	SPX3200UG	Union Gasket (Pack of 2)	—	FDXLGSK1931	Indoor Vent Adapter Kit, H200FD, Positive-Pressure (Horizontal)
14	FDXLHBP1150	Heat Barrier Panel – H150FD	45	FDXLKPC1930	Kit Keypad Cover	—	FDXLGSK1931	Indoor Vent Adapter Kit, H300FD, Positive-Pressure (Horizontal)
14	FDXLHBP1200	Heat Barrier Panel – H200FD	—	FDXLBPC1150	Kit-Bezel Control Panel 150 (old to new)	—	FDXLGSK1931	Indoor Vent Adapter Kit, H400FD, Positive-Pressure (Horizontal)
14	FDXLHBP1250	Heat Barrier Panel – H250FD	—	FDXLBPC1200	Kit-Bezel Control Panel 200 (old to new)	—	FDXLGSK1931	Indoor Vent Adapter Kit, H500FD, Positive-Pressure (Horizontal)
14	UHXWJAK	Adapter Kit – Jandy Adapter (Qty. 1)	—	FDXLBPC1250	Kit-Bezel Control Panel 250 (old to new)	—	FDXLGSK1931	Indoor Vent Adapter Kit, H150FD, Positive-Pressure (Horizontal)
14	UHXWPAK	Adapter Kit – Pentair Adapter (Qty. 1)	—	FDXLBPC1300	Kit-Bezel Control Panel 300 (old to new)	—	FDXLGSK1931	Indoor Vent Adapter Kit, H200FD, Positive-Pressure (Horizontal)
14	FDXLHBP1300	Heat Barrier Panel – H300FD	—	FDXLBPC1350	Kit-Bezel Control Panel 350 (old to new)	—	FDXLGSK1931	Indoor Vent Adapter Kit, H300FD, Positive-Pressure (Horizontal)

NOTES: *Used only on Heaters made before 9/9/08, serial #21130809100177001 **Used only on Heaters made after 9/9/08, serial #21130809100177001
 ***Used only on models after 10/14, serial #2113141102839001 †Used only on heaters made before 7/13, serial #21131307100333001. ††Used only on heaters made after 7/13, serial #21131307100333001
 †††Used only on heaters made before 10/14. †††Used only on heaters made before 11/20/14, serial #21131411103613001. †††Used only on heaters made after 11/20/14, serial #21131411103613001.