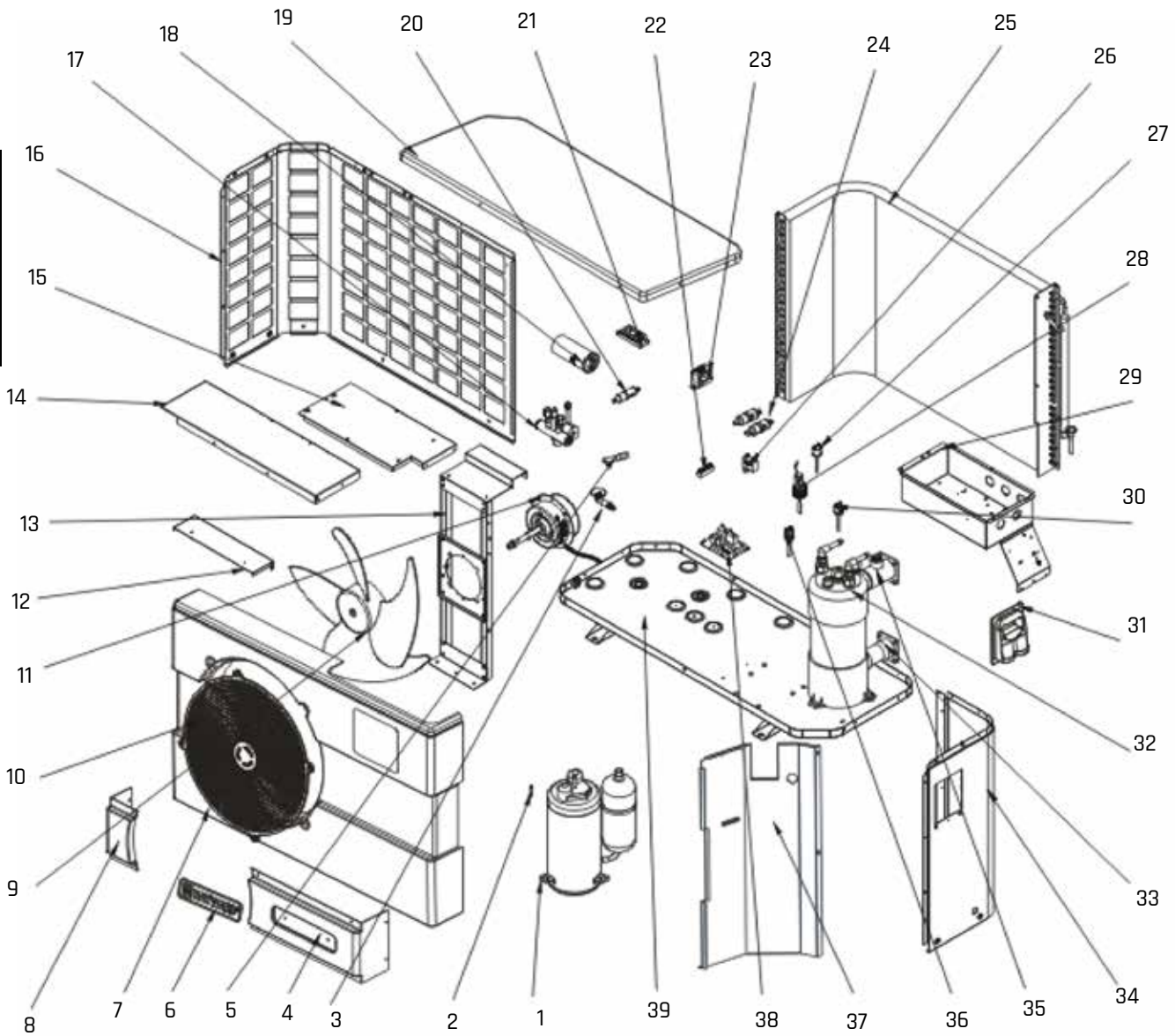


HP50A1

HEAT PUMP REPLACEMENT PARTS

Parts Listing: HP50A1

Heating



HP50A1

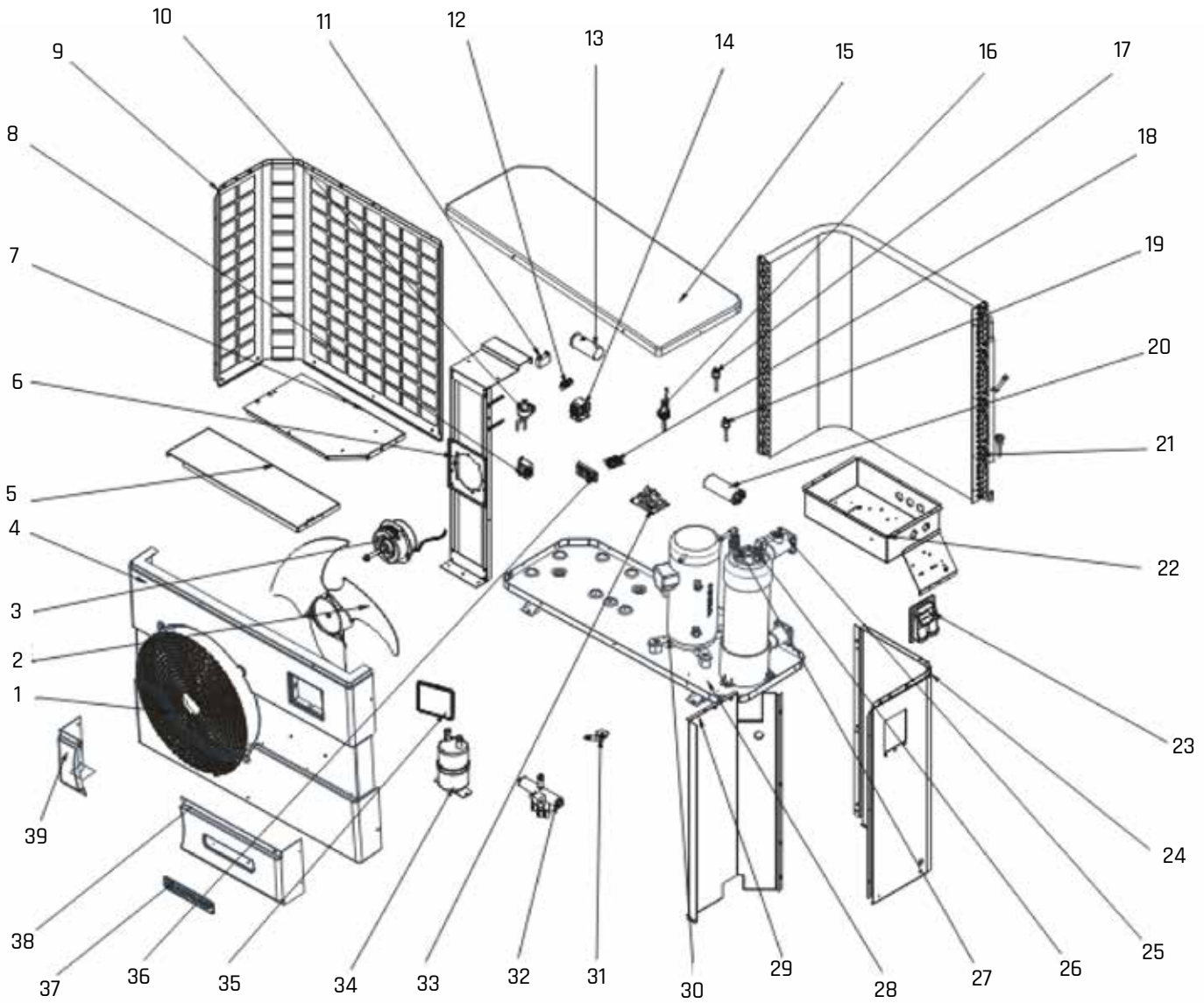
Ref. No.	Part No.	Description
1	HPX20000-110041	Compressor
2	HPX2002-8881	Steel Sleeve
3	HPX3400-2203	Drainage
4	HPX32008-220053	Front Frame Decoration 2
5	HPX20000-140067	Double Capillary Joint
6	HPX20000-230596	Mark (Hayward)
7	HPX32008-220051	Front
8	HPX32008-220052	Front Frame Decoration 1
9	HPX3500-2701	Fan
10	HPX20000-220188	Fan Retainer
11	HPX20000-330124	Fan Machinery
12	HPX32008- 210069	Before the fixed plate
13	HPX32012-210742	Motor Bracket
14	HPX32012-210737	Mounting Plate
15	HPX32012-210740	Electric Box Cover Plate
16	HPX32012-210736	Back Stop
17	HPX2001-1418	Four-Way Valve
18	HPX2000-3505	Compressor Capacitance
19	HPX32008-220054	Head Cover
20	HPX2001-1499	Check Valve
21	HPX20000-390231	Five Connector
22	HPX2000-3909	Two Connector
23	HPX20000-370006	Power Transformer
24	HPX2004-1444	Filter
25	HPX32012-120165	Fin Type Heat Exchanger
26	HPX2000-3501	Fan Capacitance
27	HPX2000-3603	Pressure Switch
28	HPX20000-360005	Water Switch
29	HPX32012-210739	Electrical Box
30	HPX2001-3605	Pressure Switch
31	HPX 32009-220029	Terminal Box
32	HPX32012-120036	Titanium Tubular Exchange
33	HPX2000-3242	Water Inlet Sensor
34	HPX32012-210735	Right-Side Panel
35	HPX2000-3242	Water Outlet Sensor
36	HPX20000-360059	Pressure Switch
37	HPX32012-210738	Median Septum
38	HPXPC1001	PC1001
39	HPX32012-210741	Chassis

HP70A1

HEAT PUMP REPLACEMENT PARTS

Parts Listing: HP70A1

Heating



Parts Listing: HP70A1

Ref. No.	Part No.	Description
1	HPX20000-220169	Fan Protection Grille
2	HPX20000-270004	Fan Blade
3	HPX20000-330134	Fan Motor
4	HPX32017-220001	Front Panel
5	HPX32009-210219	Support Panel
6	HPX32009-210634	Fan Motor Bracket
7	HPX32009-210635	Electrical Box Cover
8	HPX20000-370003	Transformer 230V-12V
9	HPX32017-210010	Back Panel
10	HPX20000-140237	Electronic Expansion Valve
11	HPX2000-3509	Fan Motor Capacitor (5uF)
12	HPX2000-3909	Terminal Block 2 Connections
13	HPX2000-3524	Compressor Capacitor
14	HPX20000-360222	Compressor Contactor
15	HPX32017-220004	Top Cover
16	HPX20000-360005	Flow Switch
17	HPX2001-3605	High Pressure Switch
18	HPX2000-390237	Terminal Block 3 Connections
19	HPX2000-3603	Low Pressure Switch
20	HPX20000-3510	Compressor Capacitor
21	HPX35012-120001	Fin Coil
22	HPX32009-210633	Electrical Box
23	HPX32009-220029	Protection Cover
24	HPX32009-210630	Right Panel
25	HPX32010-120012	PVC-Titanium Condenser
26	HPX2000-3242	Water Outlet Sensor
27	HPX2000-3242	Water Inlet Sensor
28	HPX32009-210632	Bottom Panel
29	HPX32009-210631	Center Wall
30	HPX20000-110142	Compressor
31	HPX3400-2203	Drain Connector
32	HPX2001-1491	4-Way Valve
33	HPXPC1001	PC1001
34	HPX3500-1401	Gas-Liquid Separator
35	HPXLED	LED Controller
36	HPX20000-390237	Terminal Block 3 Connections
37	HPX20000-230595	Brand
38	HPX32017-220003	Stripe 2 of Front Panel
39	HPX32017-220002	Stripe 1 of Front Panel